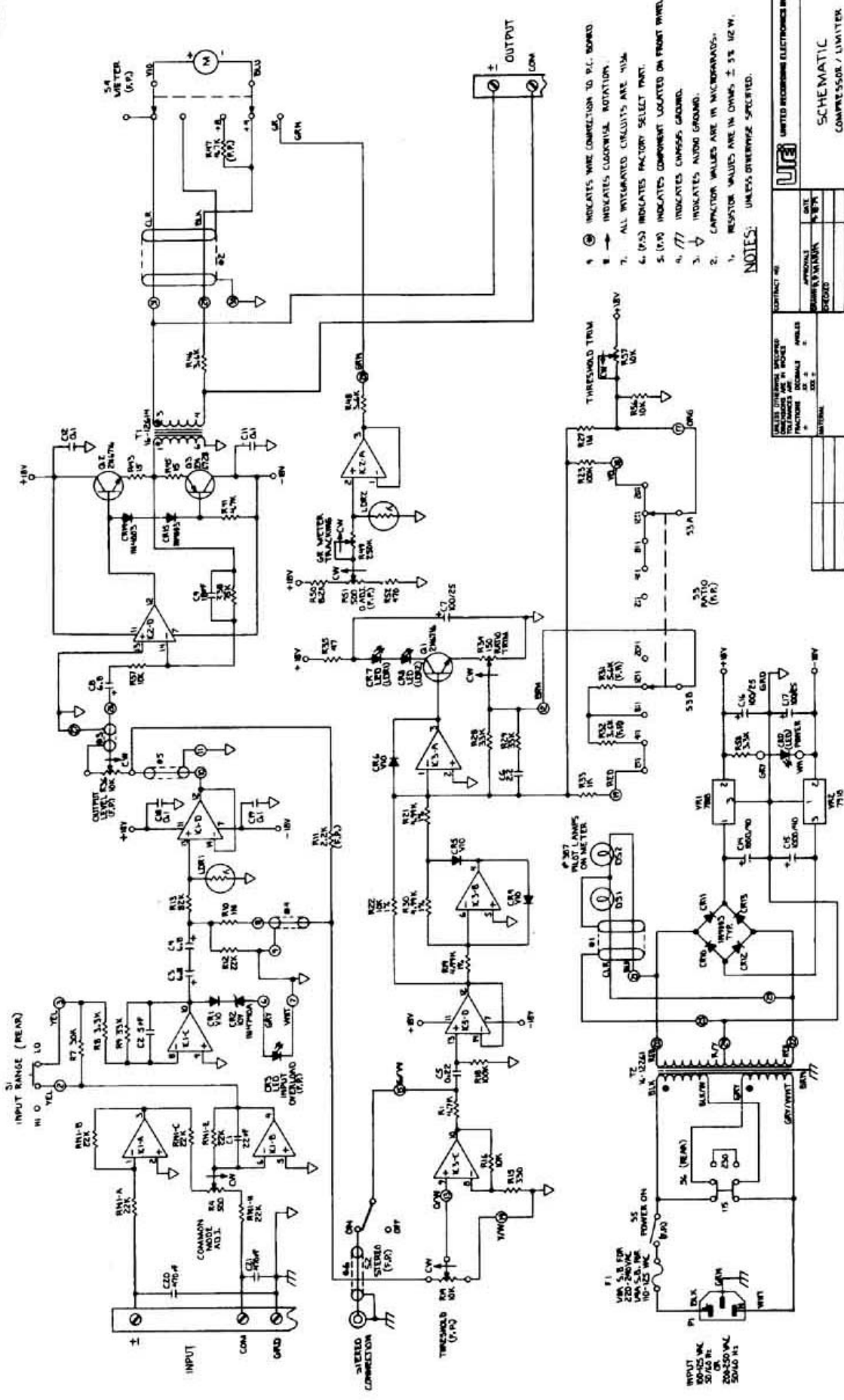


REV	DATE	APPROVED
1	12-29-80	E.P.N.
2	02-03-81	B.T.A.

REV	DATE	DESCRIPTION
A	PER ELD-LA-14-008	
B	PER ELD-LA-14-010	



1. ⊕ INDICATES WIRE CONNECTION TO P.C. BOARD
2. → INDICATES LOGIC SIGNAL NOTATION.
3. ALL UNCALCULATED CIRCUITS ARE 100%.
4. (P/S) INDICATES FACTORY SELECT PART.
5. (V/S) INDICATES COMPONENT LOCATED ON FRONT PANEL.
6. // INDICATES COMMONS GROUND.
7. ∇ INDICATES AUDIO GROUND.
8. CAPACITOR VALUES ARE IN MICROFARADS.
9. RESISTOR VALUES ARE IN OHMS ± 5% UNLESS OTHERWISE SPECIFIED.

NOTES:

UNITED RECORDING ELECTRONICS INDUSTRIES

SCHEMATIC COMPRESSOR / LIMITER

DATE: 12/29/80
 DRAWN BY: E.P.N.
 CHECKED BY: B.T.A.

PROJECT: 13247 B

SCALE: 1 OF 1