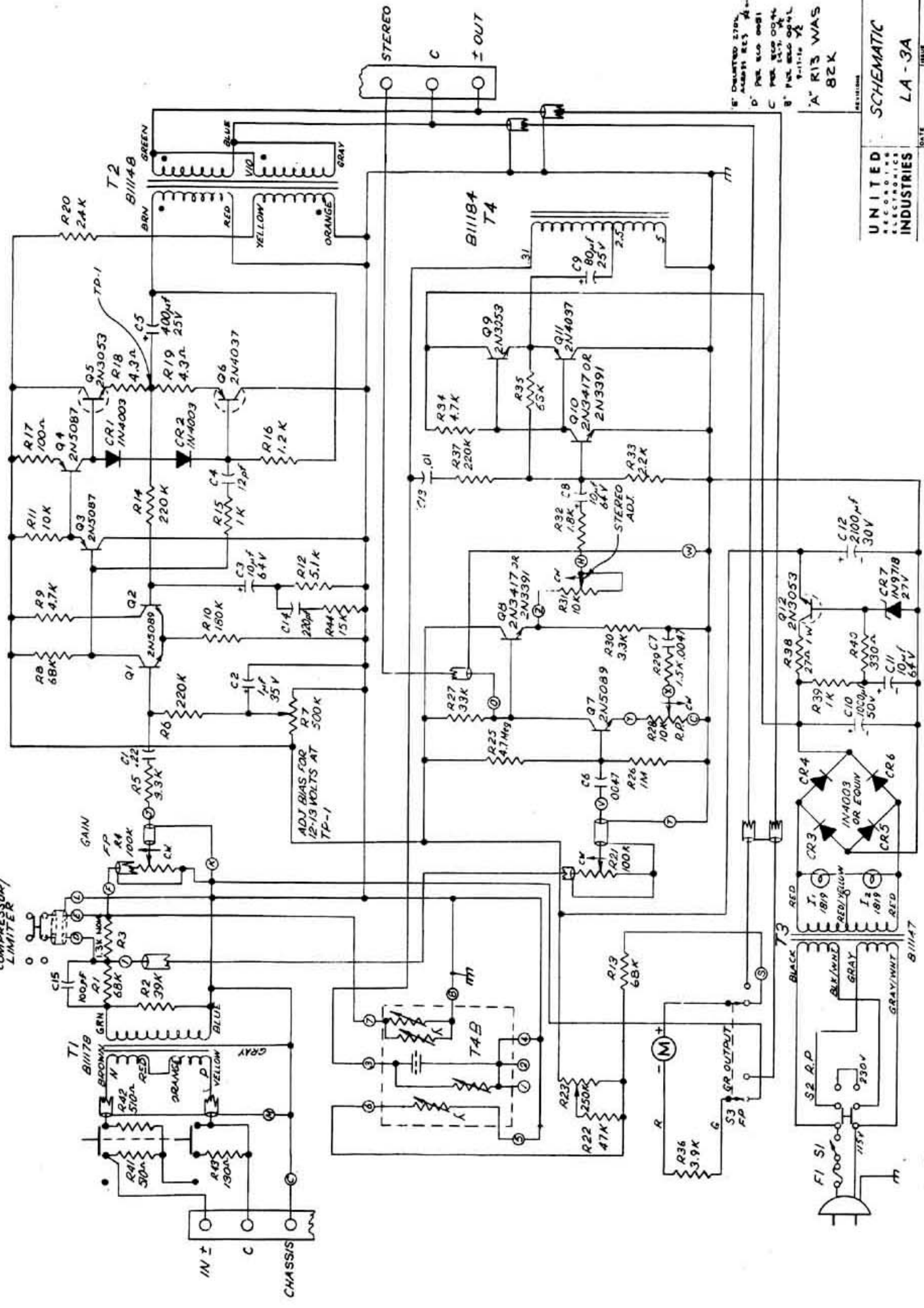


COMPRESSOR/
LIMITER



B* ORIENTED 270°
 A489H RES. 4-1-66
 D* PER SLO-BLO
 C PER SLO-BLO
 B* PER SLO-BLO
 A* R13 WAS 82K

| | |
|--------------------------|------------------------|
| UNITED STATES INDUSTRIES | |
| DATE | 4-14-70 |
| CHECKED | AMANDA BURG |
| DEPARTMENT | LOS ANGELES CALIFORNIA |
| DESIGNED BY | C111861E |
| SCHEMATIC | |
| LA-3A | |

FUSE:
 3AG 1/2 AMP SLO-BLO FOR 120 V
 3AG 1/2 AMP SLO-BLO FOR 220 V