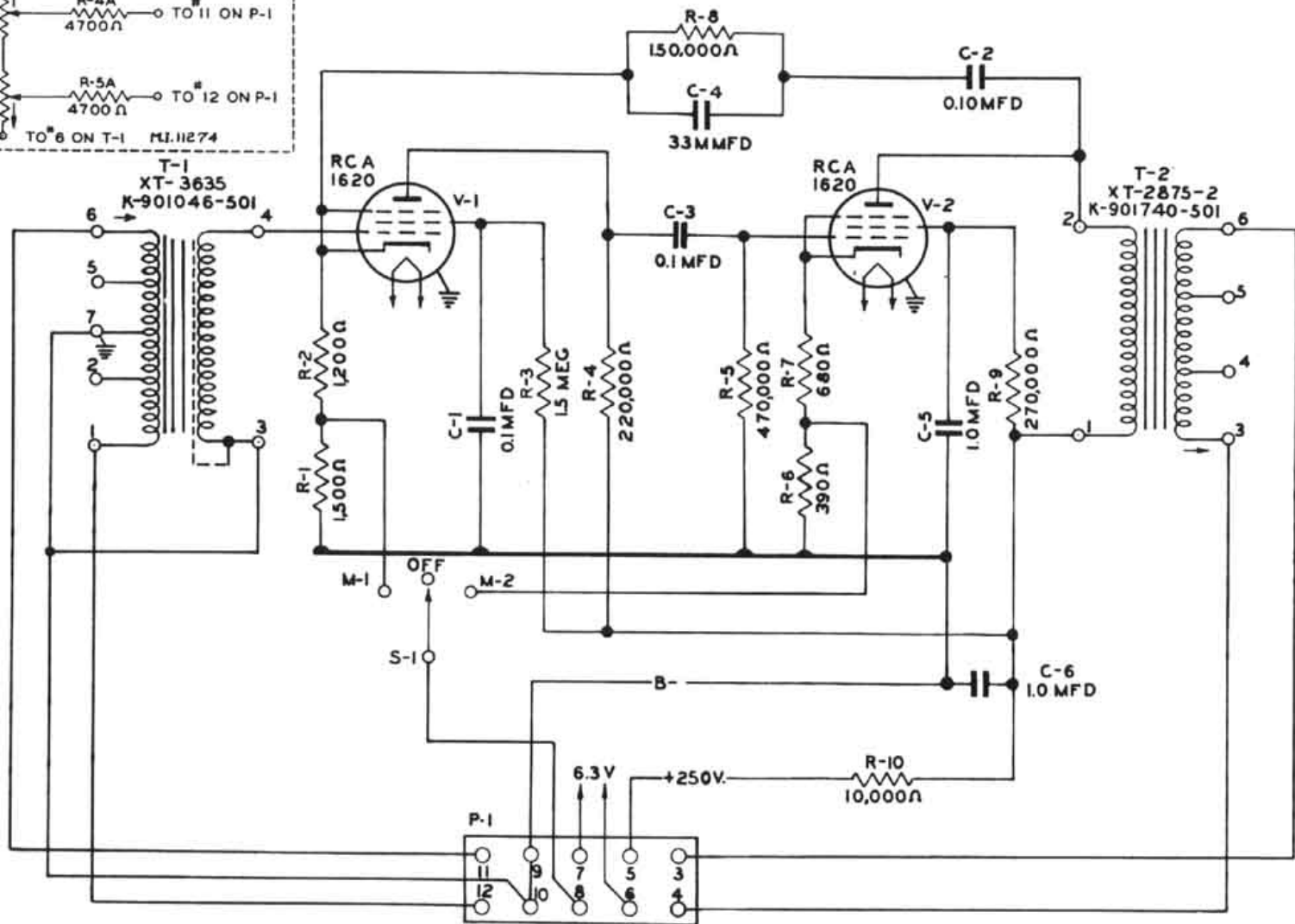
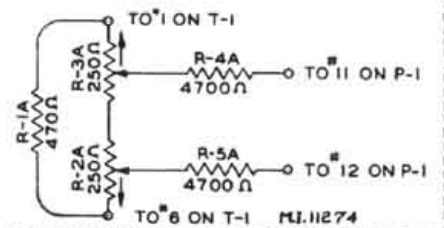


Figure 2—Schematic diagram of Type BA-1A Preamplifier.



MI-11218-A P-172381-3