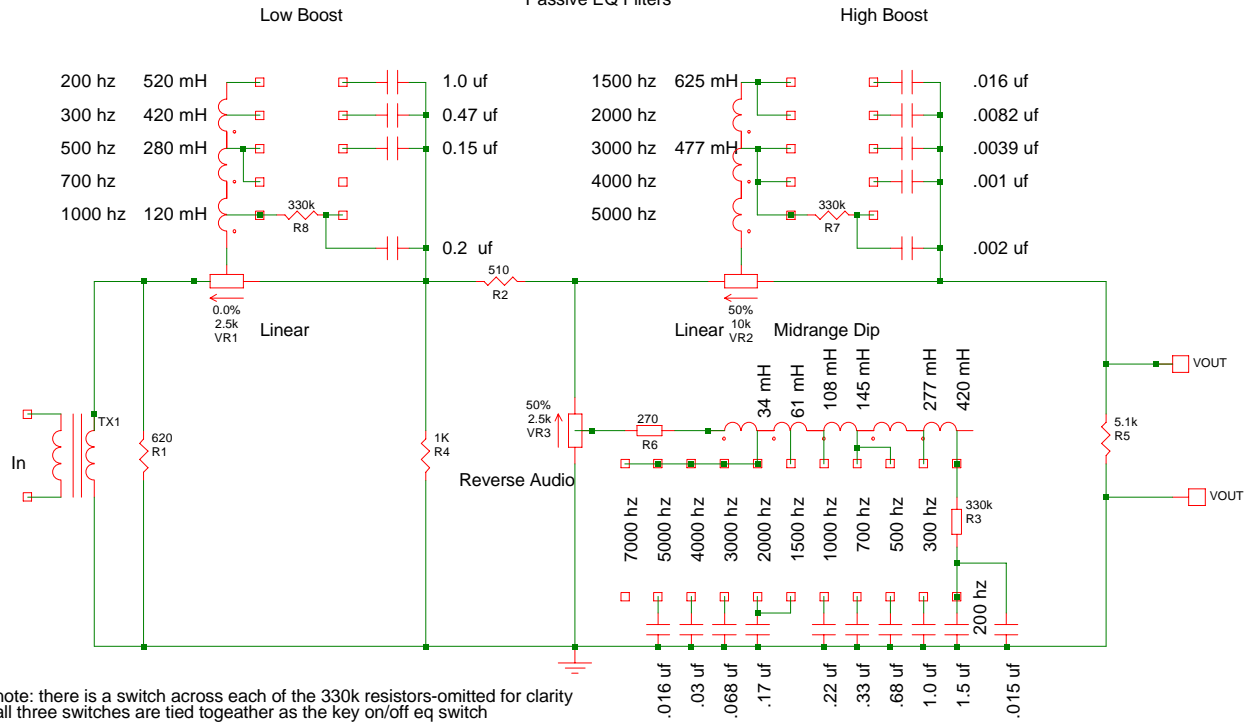


Pultec MEQ-5

Passive EQ Filters



note: there is a switch across each of the 330k resistors-omitted for clarity
 all three switches are tied together as the key on/off eq switch
 the amplifier remains in the circuit at all times

