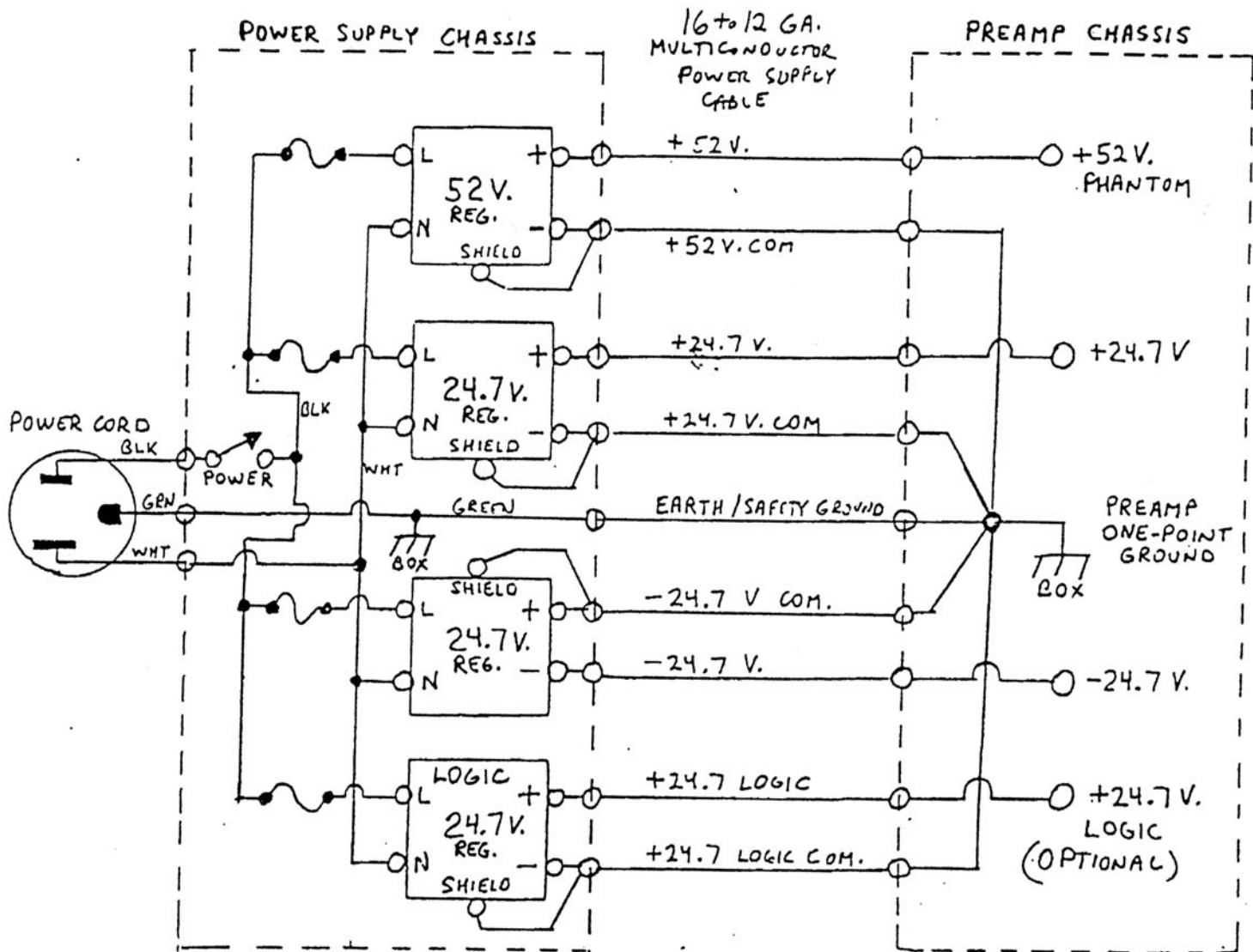


TWIN SERVO
APPLICATIONS:
SAFE, CLEAN POWER SUPPLY
FOR HIGH QUALITY AUDIO
SHOWING PROPER GROUNDING &
ROUTING OF POWER SUPPLY WIRING



NOTES:

1. 24.7 VOLT POWER SUPPLIES ARE POWERTEC OEM II SERIES OR EQUAL
2. 52 VOLT POWER SUPPLY IS TSS-006 UNIVERSAL PHANTOM POWER SUPPLY CARD. OR EQUAL
3. POWER SUPPLY CABLE IS MULTIPLE-CONDUCTOR (16 GA. MINIMUM) CONTROL CABLE
4. NOTE THAT NO CURRENT FLOWS IN EARTH/SAFETY GROUND WIRE
5. ALL COMMONS IN PREAMP MUST TIE DIRECTLY TO ONE-POINT GROUND
6. LOGIC SUPPLY IS NOT NECESSARY FOR TSS-M2 TWIN SERVO CAPS. TO USE +24.7 VOLT SUPPLY FOR LOGIC, DELETE "+24.7 V. LOGIC COMMON" CONDUCTOR AND CONNECT "+24.7 VOLT LOGIC" CONDUCTOR TO +24.7V SUPPLY INSIDE POWER SUPPLY BOX.

REV. 10-20-83