

40 ●● +24V POSITIVE RAIL (ORANGE)
39 ●●

38 ○○

37 ○○ BUFFERED MODULE OUT

36 ○○

35 ○○

34 ○○

33 ○○

32 ●● MODULE OUT (+)

31 ○○

30 ⊖⊖ MODULE OUT (-)

29 ⊖⊖

28 ⊖⊖

27 ⊖⊖ GROUND STRAP (GREEN)

26 ⊖⊖

25 ○○

24 ●●

23 ⊖⊖ INSERT POINT - LOOP TOGETHER

22 ●●

21 ●●

20 ●● +12V RAIL (YELLOW)

19 ○○

18 ○○ BUSS TOGETHER

17 ⊖⊖ SIGNAL GROUND FOR MIC & LINE INPUTS

16 ○○ LINE PREAMP OUT

15 ⊖⊖ LINE GROUND

14 ●● LINE IN (-)

13 ●● LINE IN (+)

12 ⊖⊖ MIC PREAMP OUT GROUND

11 ○○ MIC PREAMP OUT

10 ○○

9 ○○ HI-Z RETURN

8 ○○

7 ○○ HI-Z OUT

6 ●● +48V PHANTOM BUSS (BROWN)

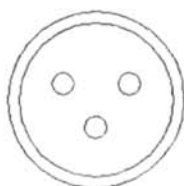
5 ⊖⊖ MIC GROUND

4 ●● MIC IN (-)

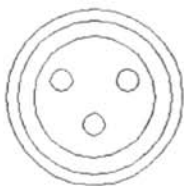
3 ●● MIC IN (+)

2 ●●

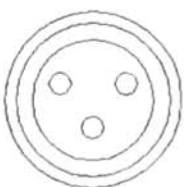
1 ●● -24V NEGATIVE RAIL (VIOLET)



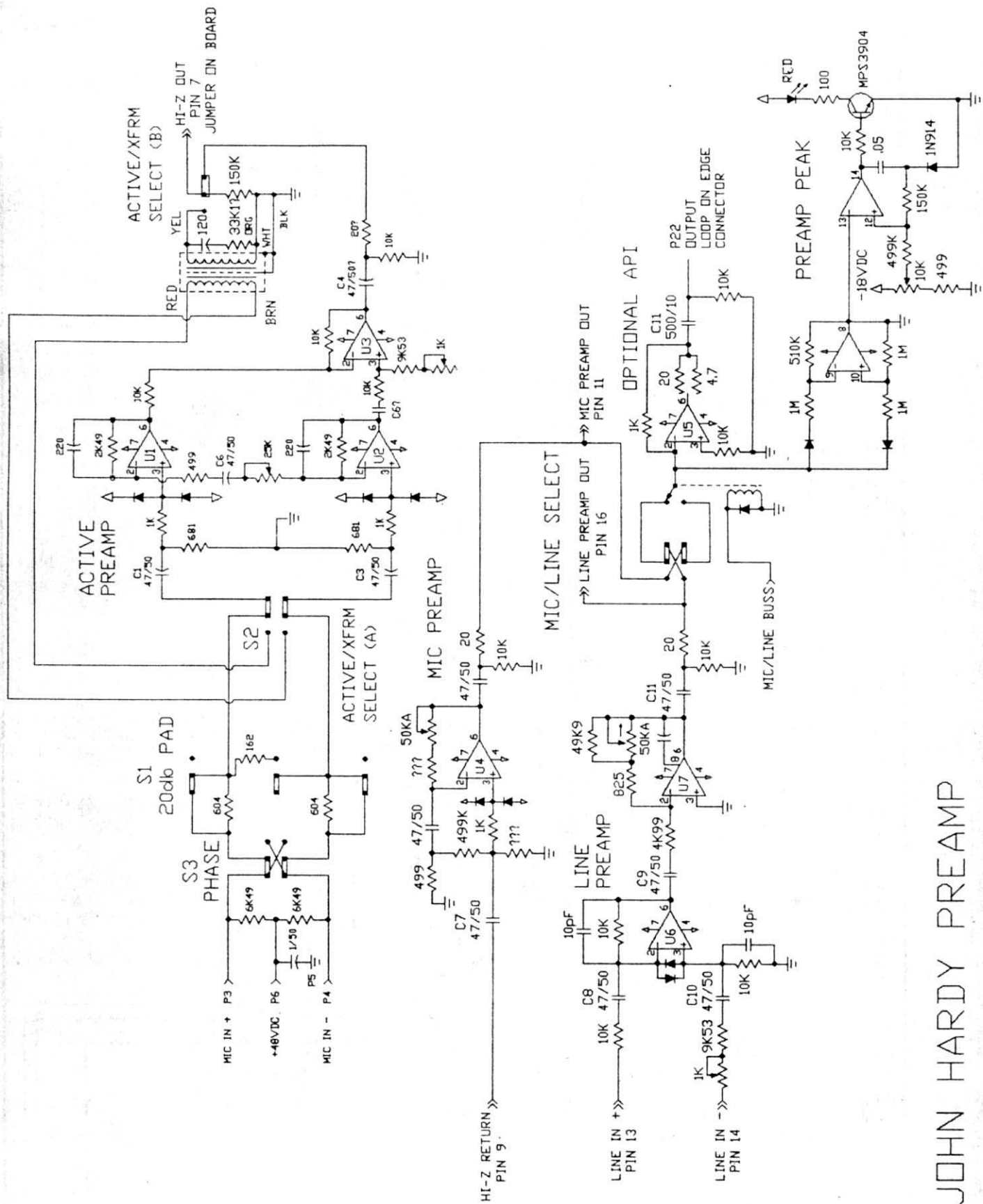
LINE OUT



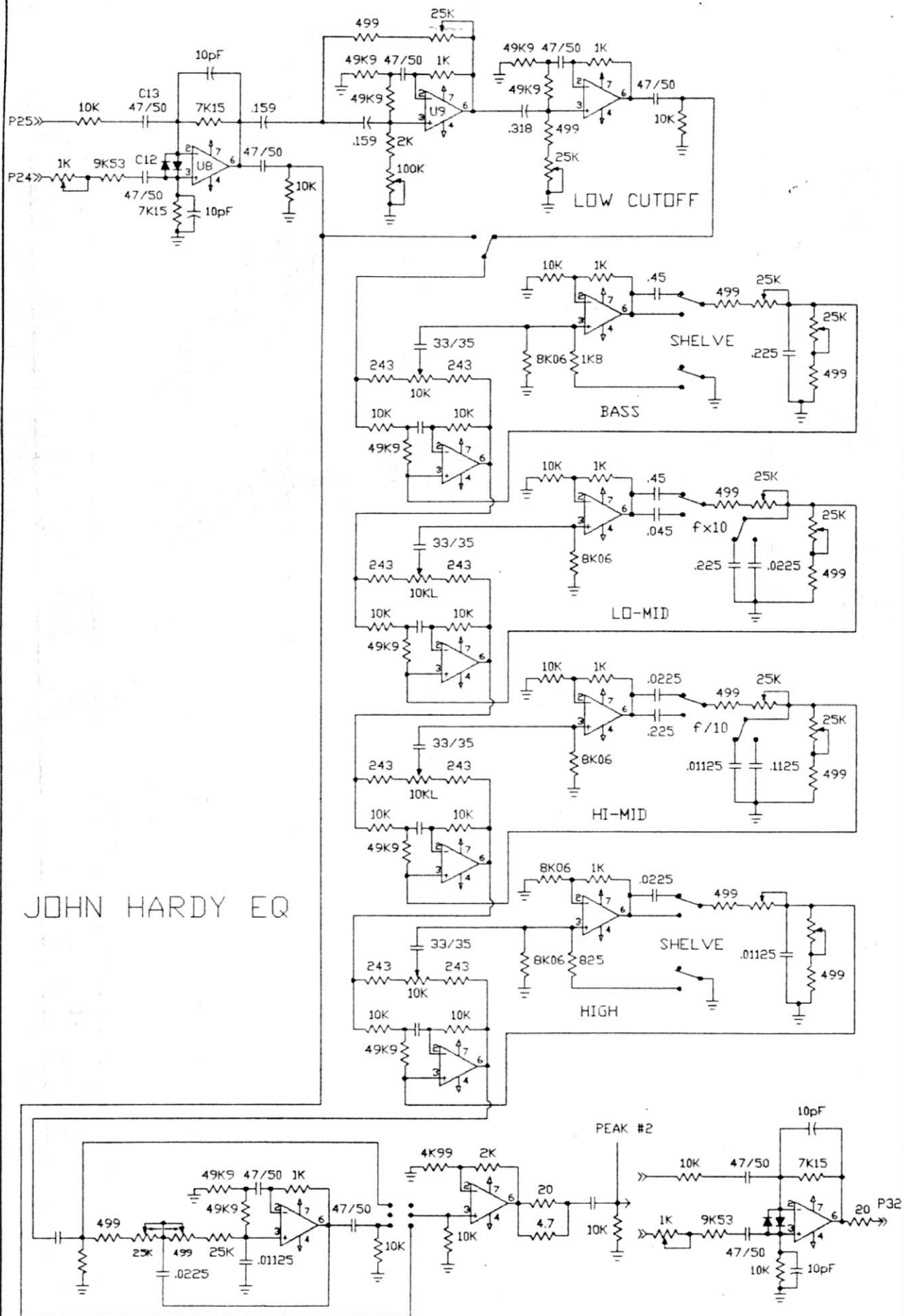
LINE IN



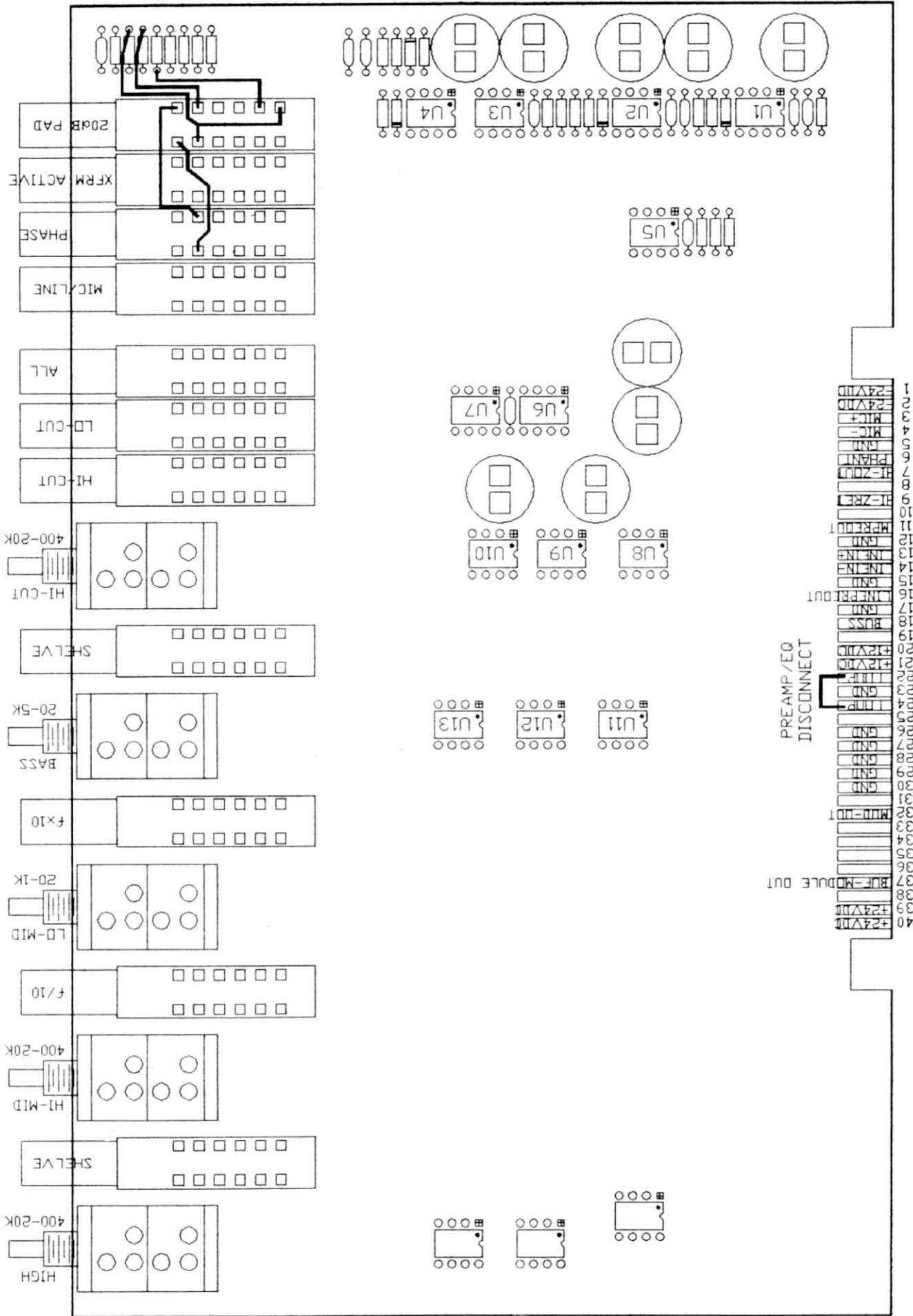
MIC IN



JOHN HARDY PREAMP



JOHN HARDY EQ



- 1 +24VDD
- 2 +24VDD
- 3 MIC+
- 4 MIC-
- 5 GND
- 6 PREAMP
- 7 BI-ZOU
- 8 BI-ZRE
- 9 BI-ZRE
- 10
- 11 MFB OUT
- 12 GND
- 13 MFB IN
- 14 MFB IN
- 15 GND
- 16 LINEFB OUT
- 17 GND
- 18 BUSS
- 19
- 20 +12VDD
- 21 +12VDD
- 22 LINEFB
- 23 GND
- 24 TOP
- 25 GND
- 26 GND
- 27 GND
- 28 GND
- 29 GND
- 30 GND
- 31
- 32 MFB-OUT
- 33
- 34
- 35
- 36
- 37 BUF-MODULE OUT
- 38
- 39 +24VDD
- 40 +24VDD

PREAMP/EQ
DISCONNECT

BUF-MODULE OUT