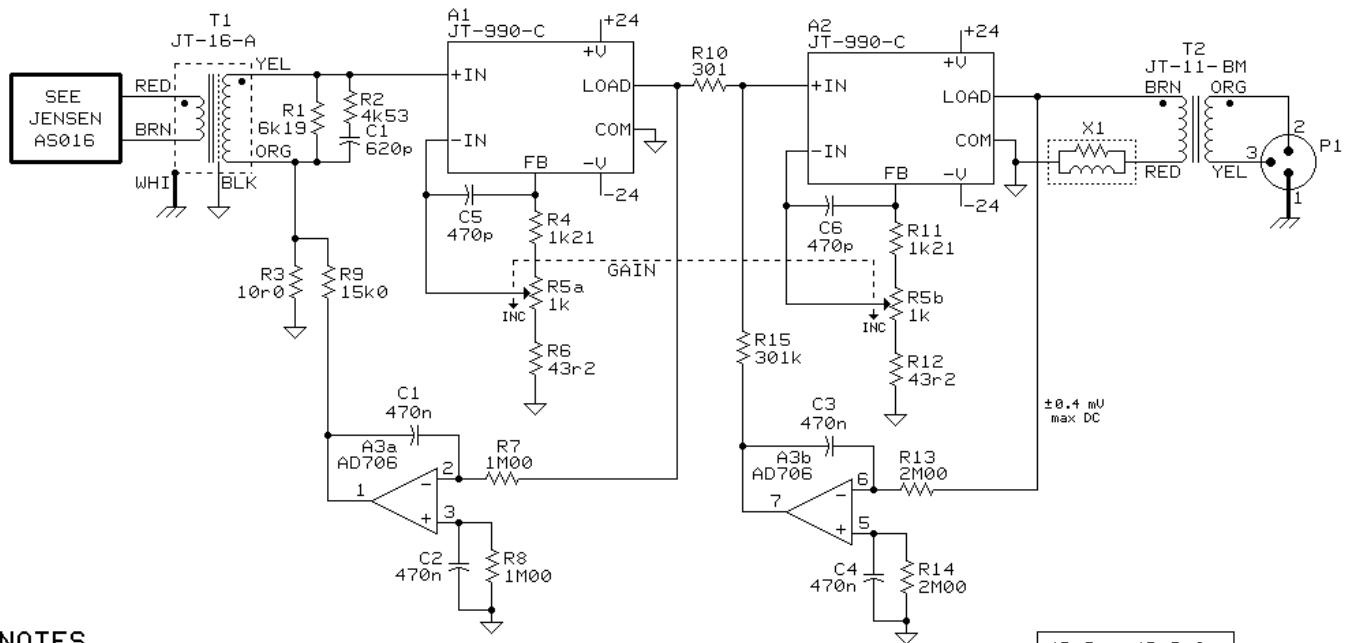


FAMOUS JENSEN TWIN-SERVO® 990 MIC PREAMP BASIC CIRCUIT



43r2 = 43.2 Ω
4k53 = 4.53 kΩ
2M00 = 2.00 MΩ

NOTES

THIS IS NOT A PROJECT FOR ELECTRONIC BEGINNERS ...

THE 990, LIKE ALL HIGH GAIN-BANDWIDTH AMPLIFIERS, CAN OSCILLATE IF CAREFUL ATTENTION IS NOT PAID TO LAYOUT AND GROUNDING. USE OF POWER & GROUND PLANES AND GOOD HIGH FREQUENCY CONSTRUCTION TECHNIQUES IS HIGHLY RECOMMENDED.

R5 IS A REVERSE LOG TAPER CONDUCTIVE PLASTIC DUAL POT

X1 IS AN OUTPUT LOAD ISOLATOR, JENSEN JT-OLI-2 OR EQUIVALENT.

ALL RESISTORS ARE ±1% 1/4w METAL FILM TYPES, ROEDERSTEIN MK2-1 OR EQUIVALENT

ALL CAPACITORS ARE POLYPROPYLENE, POLYSTYRENE, OR NP0/C0G CERAMIC TYPES

© COPYRIGHT 1997, JENSEN TRANSFORMERS, INC.

jensen	AS083
	03/05/97
7135 HAYVENHURST AVE. VAN NUYS, CALIFORNIA 91406 (818) 374-5857	