

# Gotham

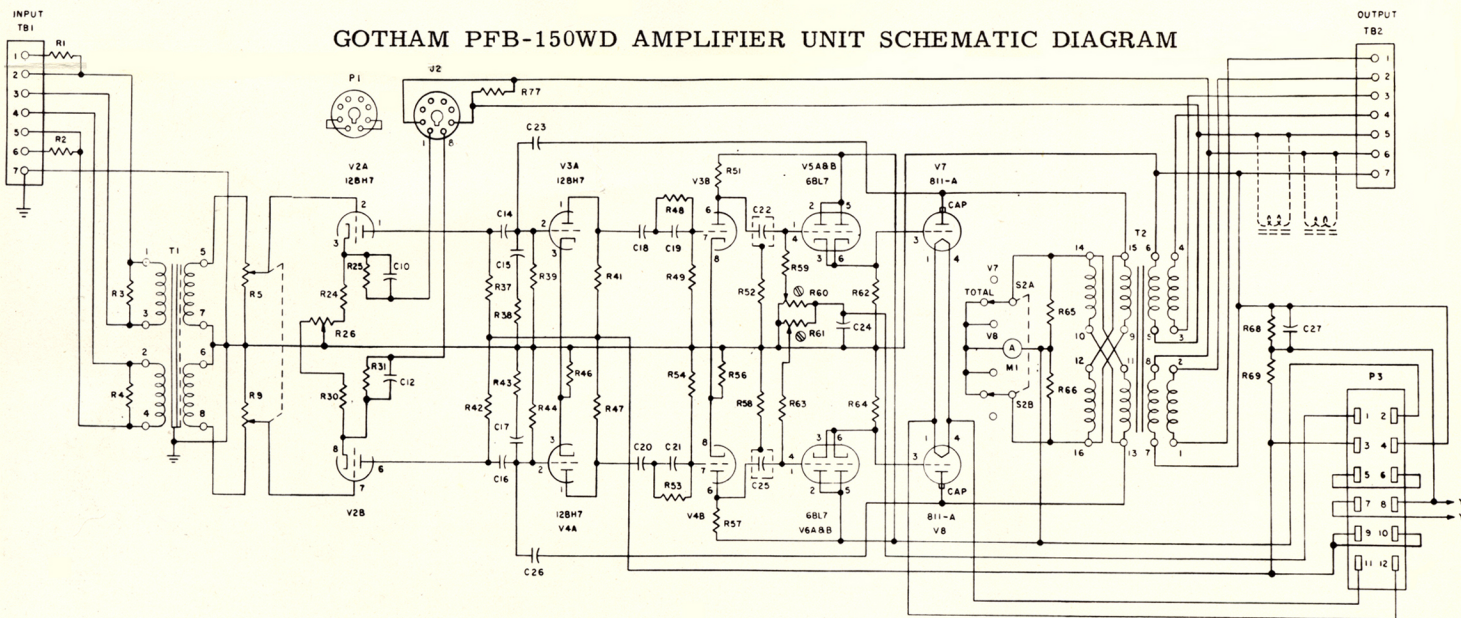
## PFB-150 WD



# DESIGN & APPLICATIONS

The Model PFB-150WD Power Amplifier consists of five push-pull, carefully balanced stages. The critically designed and built input transformer maintains its balance and frequency response from 10-40,000 cycles/second. Three RC coupled voltage-amplifier stages feed the cathode follower driver. The extremely high mutual conductance of the paralleled driver tubes provide an effective 30-ohm drive to the positively biased

high- $\mu$  output triodes. Eight separate windings of the toroidally wound output transformer, provide a multitude of output impedance combinations while maintaining a high degree of coupling. The heavy-duty Xenon-filled rectifiers, together with over-sized transformers and chokes, give excellent regulation, permitting high power output with a relatively low output plate voltage of 550 volts.



PERFECT AS —

- High-Power variable frequency source, when used in conjunction with any low-distortion oscillator, for the testing of transformers, motors, inductors, loudspeakers, and any other application requiring a stable, low-distortion power source.

- Top Quality Audio Amplifier for effective voice and music reproduction combining unbelievably low noise, high efficiency, and power to spare in such widely varied applications as:

- Motion Picture Theaters and Drive-In's
- Public Address Systems
- Stereophonic Multi-Speaker installations
- Industrial Sound Systems
- High-Fidelity Home Installations
- Disk Recording

- Driver to Class "B<sub>2</sub>" Modulators in high-fidelity AM Broadcasting Transmitters.

- Driving Source for Magnetostrictive and other Ultra-Sonic Devices.

# POINTS OF INTEREST:

## TOROIDAL OUTPUT TRANSFORMER

General Radio manufactured - - eliminates switching transients - lowest distortion.

811-A RUGGED OUTPUT TRIODES  
JAN-approved - Working well below  
CCS dissipation and voltage ratings.

OIL-FILLED COUPLING CONDENSERS  
Hermetically sealed for trouble-free  
operation.

Vented Tube Shields

## OIL FILTER CAPACITORS

1% Precision Metal-Film &  
Wire-Wound Resistors in all  
plate and feedback circuits  
for maximum stability.

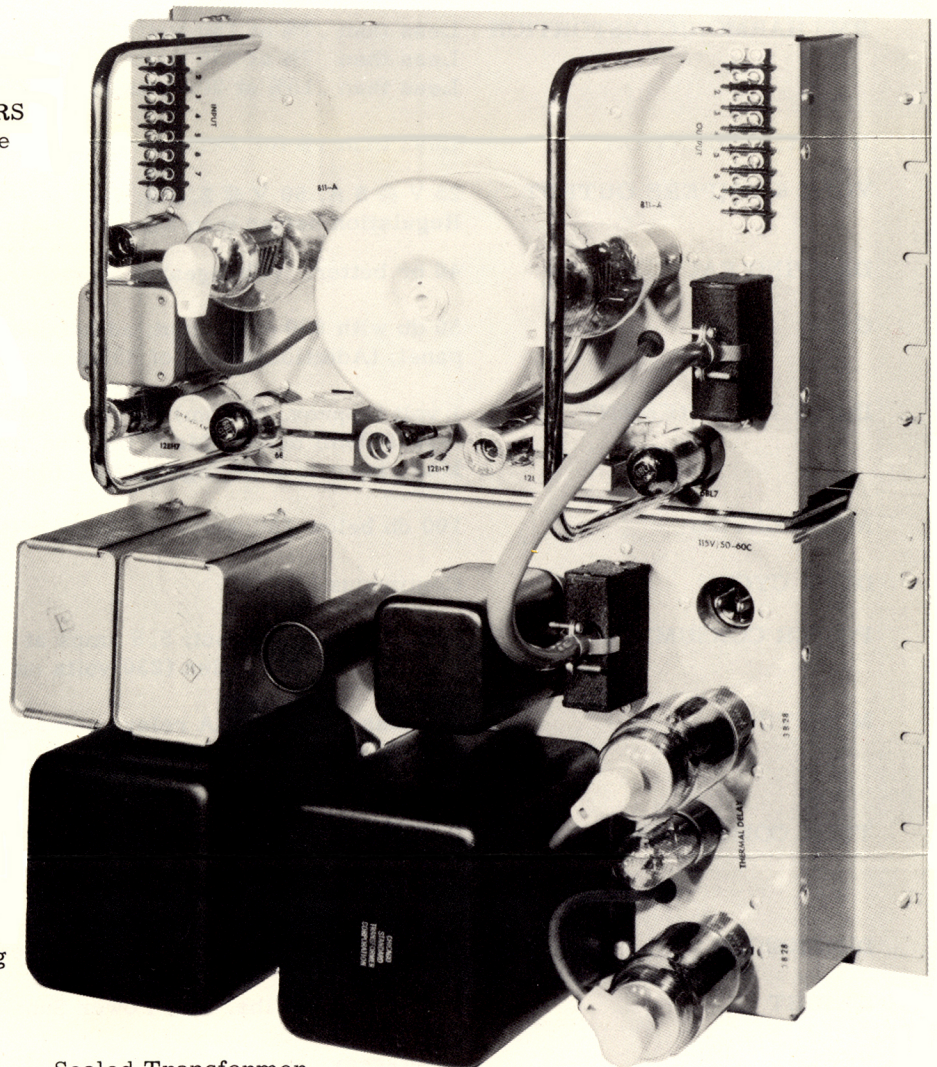
Thermistor-timed warmup  
period released by Edison  
Thermal Relay after 15 sec.

All Components and Tubes  
working well below their  
maximum ratings, insuring  
long, dependable life.

Class A<sub>2</sub> operation at power  
levels below 40 watts insures  
low distortion at low power.

POSITIVELY BIASED 811-A's  
with unlimited drive, deliver  
short-duration peaks of up to  
400 watts with perfect stability.

3B28 XENON-FILLED RECTIFIERS  
Efficient - Rugged - Long-lasting



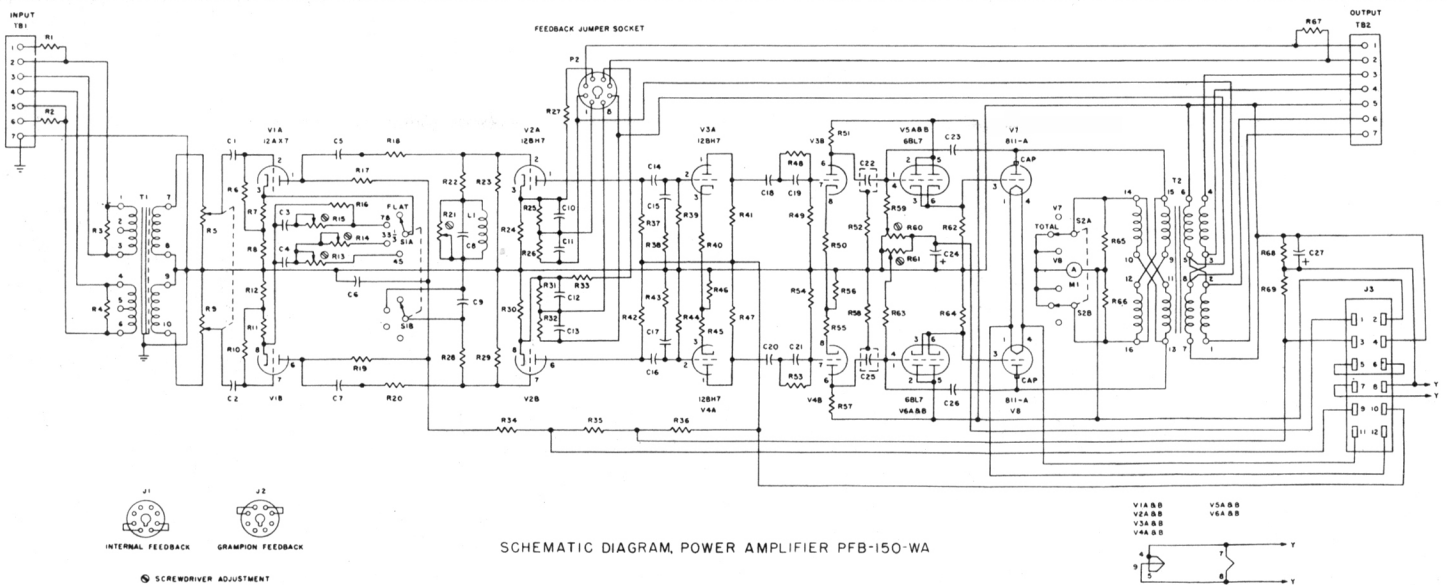
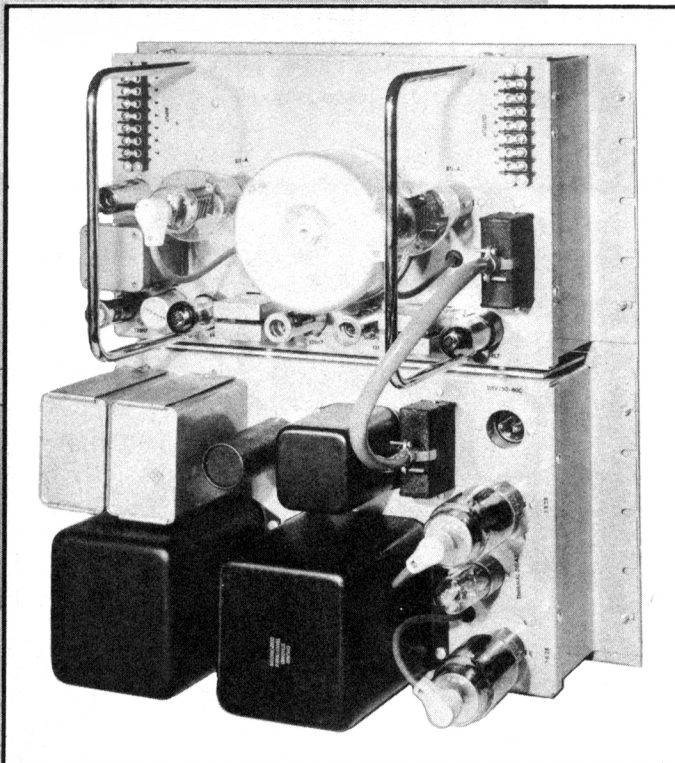
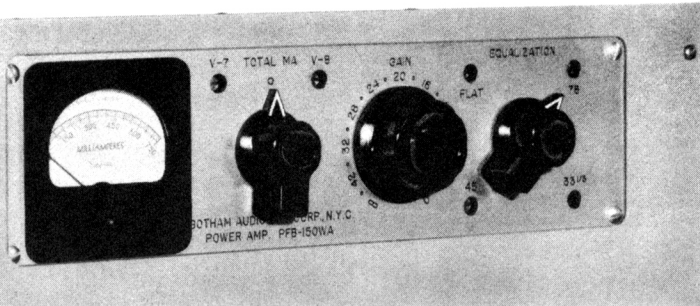
Sealed Transformer



# GRAMPIAN-GOTHAM

## SPECIFICATIONS: GOTHAM PFB-150WA Power Amplifier

- INPUT IMPEDANCE**  
150/600 ohms balanced or unbalanced.  
5,000 ohms bridging - unbalanced.  
2,500/10,000 ohms bridging - balanced.
- INPUT LEVEL REQUIREMENT**  
16 dbm to +4 dbm for matching inputs (150/600).  
0 dbm to +20 dbm for 2,500/5,000 ohm bridging.  
+8 dbm to +28 dbm for 10,000 ohms bridging.  
The above mentioned input levels are required at 1000 cycles to obtain 7 cm/sec. peak recorded velocity (NARTB Standard Level) on 33½ and 45 rpm positions, and approximately 15 cm/sec. peak recorded velocity at 78 rpm.
- GAIN (600 ohm input)**  
46 db at 1000 cycles (Flat, 33½ & 45 rpm positions).  
52 db at 1000 cycles (78 rpm position).
- FREQUENCY RESPONSE (Complementing Cutterhead to achieve RIAA recording curve ±2 db).**  
RIAA Recording Curve within 1 db from 30-16,000 cycles in 33½, 45 and 78 positions. "FLAT" position above 1000 cycles within 1 db to 40,000 cycles.  
(screwdriver adjustments counterclockwise).
- DAMPING FACTOR**  
Better than 40.
- RMS HARMONIC DISTORTION**  
Less than 0.7% from 40 - 15,000 cycles at 150 watts.  
Less than 0.1% at 1000 cycles at 20 watts.
- INTERMODULATION**  
Less than 1% at 150 watts output (4:1 ratio 50/7,000).
- SIGNAL-TO-NOISE RATIO**  
62 db below 1 watt (7 cm/sec. recorded velocity) 84 db below 150 watts.
- POWER CONSUMPTION**  
115 volts 50/60 cycles; single phase; (220 volts supplied on special order).  
2.8 amps at zero output; 5.5 amps at 150 watts out.
- METERING**  
750 ma. direct-indicating plate-current meter.
- CONTROLS**  
3-position plate-metering switch; 4-position equalization control; 2 db/step gain control; power switch; two line fuses.
- TERMINALS**  
Two 7-contact barrier strips; input and output.
- TUBES**  
1 12AX7, 3 12BH7, 2 6BL7, 2 811-A, 2 3B2B (6BL4).
- MOUNTING DIMENSIONS**  
Two 19" standard rack units; 10.5" high each; maximum depth 11".
- WEIGHT**  
Amplifier unit 39 lbs; Power Supply 68 lbs. net.
- FINISH**  
Light-grey Class "A" baked enamel; Cover Panels available in RCA umber-grey or black as desired. Control panels in natural brushed and anodized aluminum; engraved.



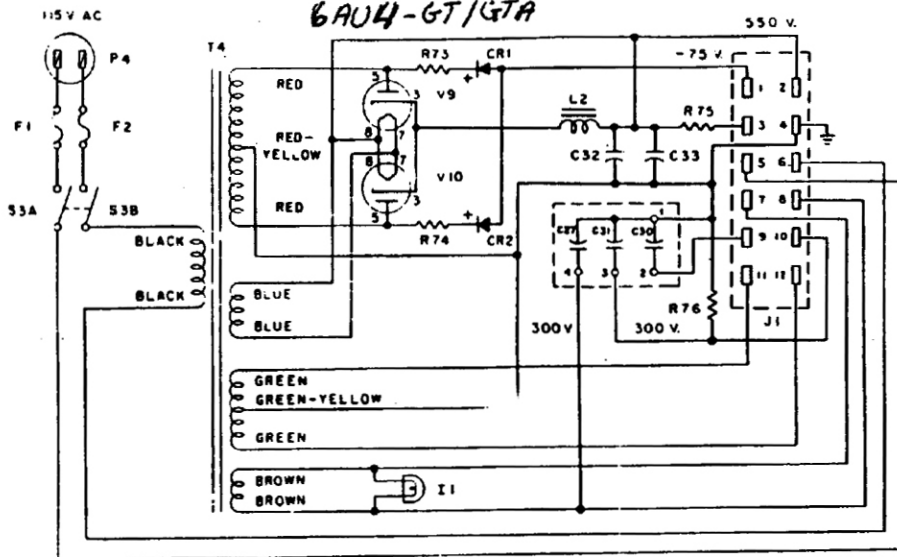
# REEVES EQUIPMENT CORP.

10 East 52nd Street, New York 22, N. Y. • PLaza 9-7190

Cable address: Reevesquip

14A

C-1	.012 mfd	10%	200 V	R-12	10 K	1%	1 W
C-2	.012 mfd	10%	200 V	R-13	10 K AB Type	JLU pot	
C-3	.0082 mfd	10%	400 V	R-14	10 K AB Type	JLU pot	
C-4	.0032 mfd	5%	600 V	R-15	10 K AB Type	JLU pot	
C-5	.0022 mfd	2%	600V	R-16	18 K	5%	1/2 W
C-6	3 mfd electrolytic		450 V	R-17	47 K	1%	1 W
C-7	.0022 mfd	2%	500 V	R-18	47 K	1%	1 W
C-8	400 mmf	5%	500 V	R-19	47 K	1%	1 W
C-9	.039 mfd	5%	200 V	R-20	47 K	1%	1 W
C-10	0.20 mmf	5%	500 V	R-21	.25 meg AB Type	JLA pot	
C-11	.39 mfd	10%	200 V	R-22	33 K	5%	1/2 W
C-12	0.20 mmf	5%	500 V	R-23	360 K	5%	1/2 W
C-13	.39 mfd	10%	200 V	R-24	470	1%	1 W
C-14	.1 mfd	10%	500 V	R-25	2.7 K	5%	1/2 W
C-15	.012 mfd	10%	200 V	R-26	36 K	5%	1/2 W
C-16	.1 mfd	10%	600 V	R-27	1.8 K	5%	1/2 W
C-17	.012 mfd	10%	200 V	R-28	33 K	5%	1/2 W
C-18	.5 mfd	10%	600 V	R-29	360 K	5%	1/2 W
C-19	.0047 mfd	10%	400 V	R-30	470	1%	1 W
C-20	.5 mfd	10%	600 V	R-31	2.7 K	5%	1 W
C-21	.0047 mfd	10%	400 V	R-32	36 K	5%	1 W
C-22	.5 mfd	10%	600 V	R-33	1.8 K	5%	1/2 W
C-23	56 mmf	5%	2 KV	R-34	27 K	10%	2 W
C-24	40 mfd electrolytic		150V	R-35	27 K	10%	1 W
C-25	.5 mfd	10%	600 V	R-36	3.5 K	5%	20 W
C-26	56 mmf	5%	2 KV	R-37	10 K	5%	5 W
C-27	40 mfd elect.		150 V	R-38	820	5%	1 W
C-30	40 mfd elect.		450 V	R-39	2.2 meg	10%	1/2 W
C-31	40 mfd elect.		450 V	R-40	not used		
C-32	20 mfd oil filled		500 V	R-41	47 K	1%	1 W
C-33	20 mfd oil filled		600 V	R-42	10 K	5%	5 W
C-34	.0022 mfd	5%	500 V	R-43	0.20	5%	1 W
				R-44	2.2 meg	10%	1/2 W
R-1	4.7 K	10%	1 W	R-45	not used		
R-2	4.7 K	10%	1 W	R-46	10 K	10%	2 W
R-3	270	5%	1 W	R-47	47 K	1%	1 W
R-4	270	5%	1 W	R-48	12 meg	5%	1 W
R-5 & 9	100K double		pot 2 db/step	R-49	1 meg	5%	1/2 W
R-6	1 meg	10%	1/2 W	R-50	not used		
R-7	1 K	10%	1 W	R-51	50 K	1%	5 W
R-8	10 K	1%	1 W	R-52	1 K	10%	1 W
R-10	1 meg	10%	1/2 W	R-53	12 meg	5%	1 W
R-11	1 K	10%	1 W	R-54	1 meg	5%	1/2 W



POWER SUPPLY PS-150-W

GOTHAM AUDIO DEVELOPMENT CORP.  
NEW YORK 36, N.Y.

R-55	not used		
R-56	560	10%	2 W
R-57	50 K	1%	5 W
R-58	1 K	10%	1 W
R-59	470 K	10%	1/2 W
R-60	50 K AB Type	JLU pot	
R-61	50 K AB Type	JLU pot	
R-62	39 K	10%	2 W
R-63	470 K	10%	1/2 W
R-64	39 K	10%	2 W
R-65	.4	1%	1/2 W (1W)
R-66	.4	1%	1/2 W (1W)
R-67	20	5%	5 W
R-68	10 K	10%	1 W
R-69	100 K	10%	2 W
R-70	150 K	10%	2 W
R-71	150 K	10%	2 W
R-72	3.5 K	5%	20 W
R-73	50 K	5%	10 W
R-74	400	5%	5 W